

Back Porch ComposTumbler®

Assembly Instructions

Tools You Will Need

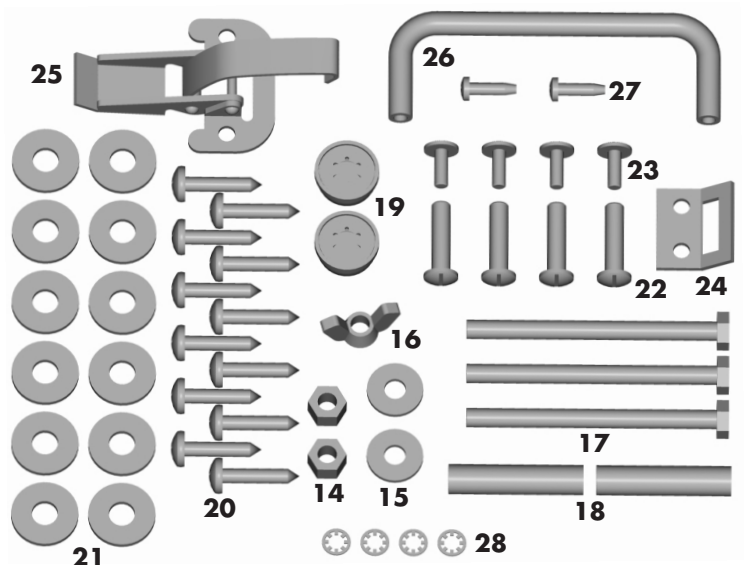
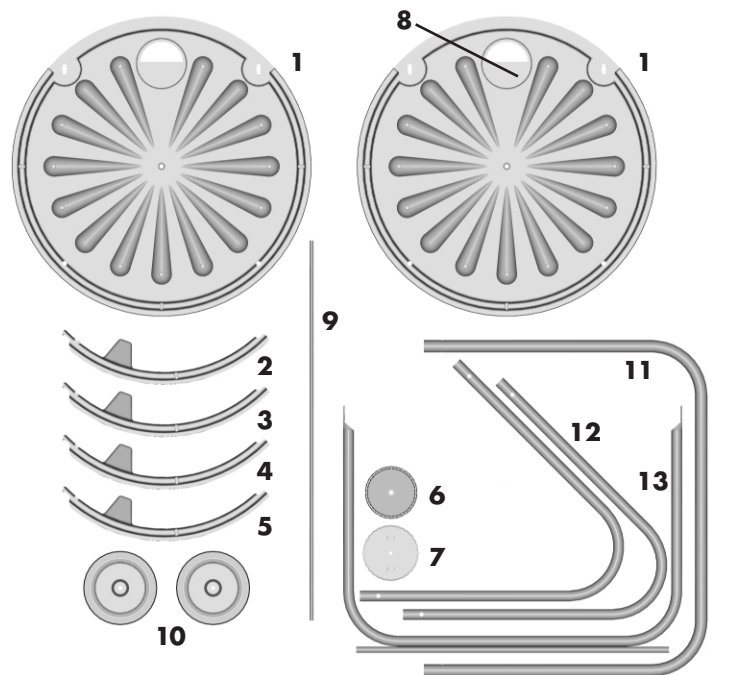
Before you start, gather the following tools:

- Hammer
- (2) 7/16" (or adjustable) wrenches
- Phillips Screwdriver
- Regular Screwdriver (flat head)

Everything else you will need is included with your Back Porch ComposTumbler.

Parts for the ComposTumbler

ITEM NO.	PART DESCRIPTION	QUANTITY NEEDED
1	Endcap	2
2	Door Panel (4 holes near one edge)	1
3	Front Panel (2 holes near one edge)	1
4	Aerator Panel (large center hole)	1
5	Back Panel (no holes)	1
6	Aerator Cap	1
7	Aerator Base	1
8	Screen (pre-assembled in Endcaps)	2
9	Axle Rod	1
10	Wheel	2
11	Handle	1
12	Leg	2
13	Brace	1
14	Locknut, 1/4"	2
15	Flatwasher, 1/4"	2
16	Wing Nut, 1/4"	1
17	Bolt, 1/4"x 3-1/4"	3
18	Axle Bushing	2
19	Axle Rod Cap, 1/4"	2
20	Screw, #14 x 1"	12
21	Flatwasher, 5/16"	12
22	Socket Bolt	4
23	Screw, #10	4
24	Latch Strike	1
25	Latch	1
26	Handle	1
27	Screw, 5/8"	2
28	Lockwasher, #10	4



Step 1:

Aerator Panel Assembly

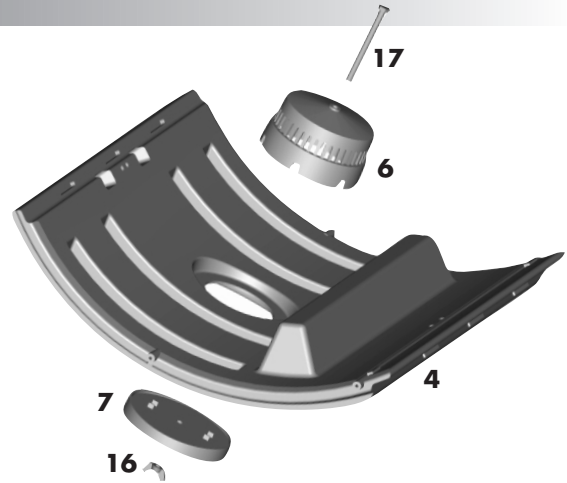
Select:

- ☞ 1 Aerator Panel (large center hole) (item 4)
- ☞ 1 Aerator Base (item 7)
- ☞ 1 Aerator Cap (item 6)
- ☞ 1 Wing Nut (item 16)
- ☞ 1 Bolt, 1/4" x 3-1/4" (item 17)

1) Insert the 1/4" x 3-1/4" Bolt through the Aerator Cap and position them into the recess on the inside of the Aerator Panel.

2) Position the Aerator Base, **smooth side** inward, over the Bolt and into the recess on the outside of the Aerator Panel.

3) Thread the Wing Nut onto the end of the Bolt until hand tight. Be careful not to over-tighten the assembly.



Step 2:

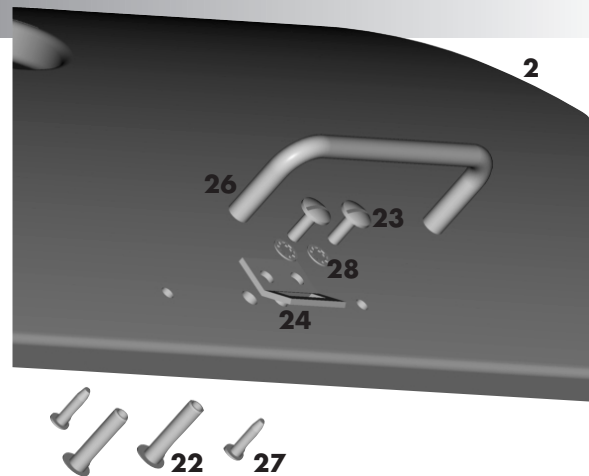
Door Panel Assembly

Select:

- ☞ 1 Door Panel (4 holes near one edge) (item 2)
- ☞ 1 Latch Strike (item 24)
- ☞ 2 Socket Bolts (item 22)
- ☞ 2 Screws, #10 (item 23)
- ☞ 2 Lockwashers, #10 (item 28)
- ☞ 1 Handle (item 26)
- ☞ 2 Screws, 5/8" (item 27)

1) From the **inside**, insert a Socket Bolt through the two larger center holes in the Door Panel. Place the Latch Strike against the **outside** of the Door Panel over the ends of the Socket Bolts, securing it in position as shown with Lockwashers and Screws.

2) Attach the Handle to the outside of the Door Panel with the 5/8" Screws through the outer holes.



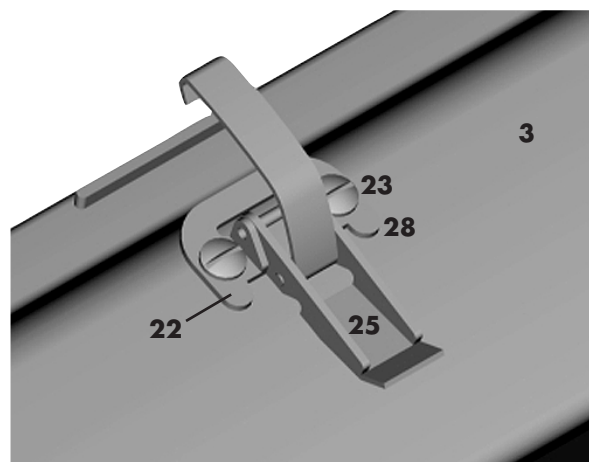
Step 3:

Front Panel Assembly

Select:

- ☞ 1 Front Panel (2 holes near one edge) (item 3)
- ☞ 1 Latch (item 25)
- ☞ 2 Socket Bolts (item 22)
- ☞ 2 Screws, #10 (item 23)
- ☞ 2 Lockwashers, #10 (item 28)

As with the Latch Strike, secure the Latch against the **outside** of the Front Panel as shown with the Socket Bolts, Lockwashers and Screws.



Step 4:

Drum Assembly

Select:

- 2 Endcaps (item 1)
- 1 Aerator Panel Assembly (from Step 1)
- 1 Front Panel (from Step 3)
- 1 Back Panel (item 5)
- 12 Screws, #14x1" (item 20)
- 12 Flatwashers, 5/16" (item 21)

Note: The TOP INSIDE of the Endcaps have no raised edge in the area of the large "D"-hole.

- 1) With one Endcap face down on the ground, insert the Aerator Panel Assembly in the channel of the Endcap directly opposite the "D"-hole, aligning the post on the side of the Panel with the mating hole in the Endcap.
- 2) Fit the Front Panel on one side of the Aerator Panel Assembly, aligning it similarly into the channel of the Endcap, but making certain that the edge of the Front Panel containing the Latch is near the OPEN area. The open area is for the DOOR.
- 3) Now fit the Back Panel on the other side of the Aerator Panel Assembly, aligning it into the channel of the Endcap.
- 4) Position the second Endcap onto the Panels, locating the posts of the Panels in the holes of the Endcap. Again, make certain that all Panels are fitted only into the channels of both Endcaps. The "D"-holes should be in-line at the OPEN area where the DOOR will go.
- 5) Secure the top Endcap to the Panels through their posts (6 places) with a 5/16" Flatwasher and #14x1" Screw. Tighten the Screws until they are just snug.
- 6) Carefully turn over the partially completed Drum Assembly and secure the second Endcap at each of the 6 posts with a 5/16" Flatwasher and #14x1" Screw.



Step 5:

Door Installation

Select:

- 1 Door
- 1 Drum Assembly (from Step 4)

For your convenience, the Door of your Back Porch ComposTumbler is designed to be removed to make filling and emptying your Back Porch ComposTumbler easy (such as when loading the ComposTumbler using a shovel or a fork).

Failure to follow the instructions below could lead to the Door opening unexpectedly.

- 1) While holding in the OPEN position, guide the Tab on one side of the Door Panel fully into the Slot of the Endcap. Moving now to the other Endcap, pull it slightly apart as you guide the Door Panel's other Tab into its Slot. Make certain that both Tabs are fully through their holes before closing the Door. As the Door "hinges" closed, these Tabs rotate and "lock" themselves to the Endcaps. To remove the Door, simply reverse this procedure.
- 2) Secure the Door by hooking the Claw of the Latch into the Slot of the Latch Strike and then pushing firmly on the Latch's Lever until it "snaps" closed. Check that the Door is securely closed by lifting up on the handle.

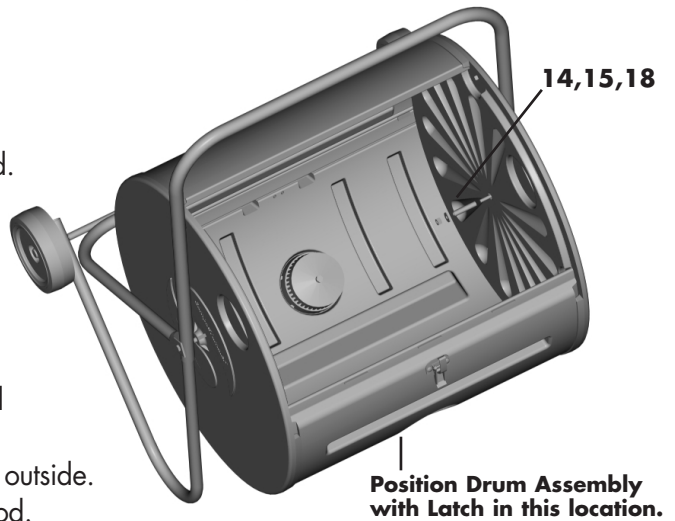
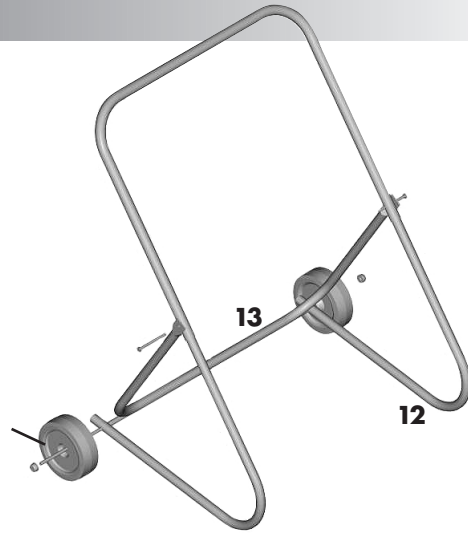
Step 6:

Frame/Drum Assembly

Select:

- g 1 Drum Assembly (from Step 4)
- g 1 Axle Rod (item 9)
- g 2 Wheels (item 10)
- g 1 Handle (item 11)
- g 2 Legs (item 12)
- g 1 Brace (item 13)
- g 2 1/4" Lock Nuts (item 14)
- g 2 Flatwashers, 1/4" (item 15)
- g 2 Bolts, 1/4" x 3-1/4" (item 17)
- g 2 Axle Bushings (item 18)
- g 2 Axle Rod Caps (item 19)

- 1) Tap an Axle Rod Cap evenly onto one end only of the Axle Rod.
- 2) Slide a Wheel onto the Axle Rod, making sure the Axle Cap fits into the "cup" in the middle of the Wheel.
- 3) Pass the Rod (with Wheel) through the cross-hole in a Leg and through the small tube of the Brace.
- 4) Noting the position of the first Leg to the Brace, hold the second Leg in the same position, and slide it over the other end of the Axle Rod, followed by the second Wheel with the "cup" on the outside. Tap the second Axle Rod Cap firmly onto the end of the Axle Rod.
- 5) Slide the Handle over the ends of both Legs until their holes line up. Rotate the Brace so the hole in one end aligns with those of the Handle and Leg. Make sure both flattened Brace ends rest on the outside of the Handle. pass a 3-1/4" Bolt through all 3 parts. Keep the Bolts loose and just through the tubing. Do not use any other hardware yet. Repeat this step for the other side.
- 6) Position the Drum Assembly (with Door) between the Frame Legs so the Handle on the Door faces FRONT. Now remove the Door and carefully work the 3-1/4" Bolts in the Frame through the center holes of both Endcaps.
- 7) From inside the Drum, insert an Axle Bushing over the end of the Bolt and into the center hole of the Endcap. Now place a Flatwasher over the Bolt and against the Axle Bushing and secure it with a Lock Nut, tightening only until the Flatwasher is snug against the Axle Bushing. Repeat this step for the other side.



Your Back Porch ComposTumbler is now completely assembled and ready to use.

