

Operational Guide

RECYCLABLE MATERIALS

Brown (dry)

- Leaves (dried)
- Dry grass
- Straw
- Sawdust
- All kinds of tissue paper
- Newspaper (shredded)*
- Paper & Cartons (shredded)*
- Egg Cartons (shredded)*

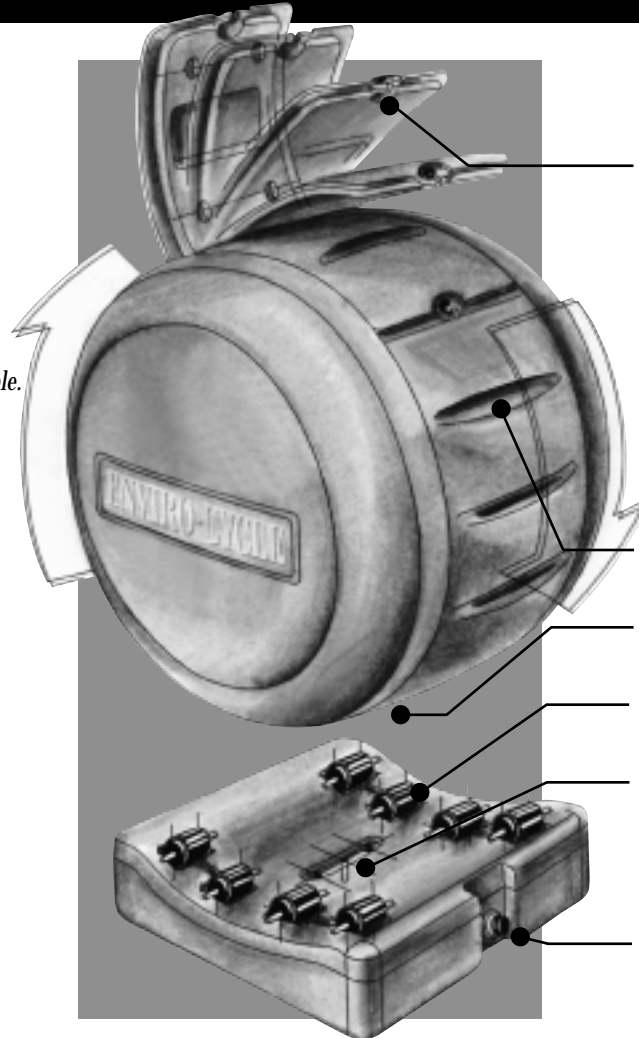
* Where recycling facilities are not available.

Green (wet)

- Fruit peels
- Vegetable peels
- Coffee grinds and filters
- Tea bags
- Egg shells
- Peanut shells
- Garden waste
- Plant trimmings
- Table waste

Matter to avoid

- Meat
- Fish
- Dairy products
- Sauces
- Oil
- Fat
- Pet waste
- Diseased plants
- Seeding weeds
- Bones



FEATURES & OPERATION

- Remove all packaging.
- Secure, latchable door flips up for daily use.
- Use 12 months a year. In winter months move the Envirocycle composter/ composteamaker close to your home for easy access. Do not turn the unit. Continue to add waste. Freezing breaks down fibers in organic material & will accelerate decomposition in spring.
- Easy grip indentations for effortless rotation.
- Openings allow for drainage into the base.
- 8 rollers with metal rods, placed in depressions on top of base.
- Remove right and left caps for runoff collection in the base. Remove the central cap for the option of direct drainage into the ground.
- To empty base unscrew cap and attach a garden hose or empty directly into a bucket.



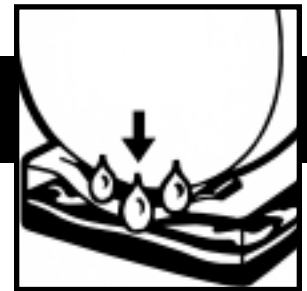
- Collect any household waste in any container.
- Toss kitchen & garden waste in drum opening.
- Rotate drum
- Smaller pieces recycle faster.
- Always maintain a 50/50 balance of green & brown material.
- As an option, add soil to activate first batch.



- Rotate drum 3 times a week to ensure perfect mix & air circulation.
- Add additional brown material or simply rotate drum should any odor be present.
- Keep material moist not wet.
- As drum becomes heavier, use a back and forth rocking motion.
- For best results, do not fill more than 3/4 full.



- Roll drum to desired spot.
- Detach door & tip for easy removal of solid fertilizer.
- For use on indoor plants, aerate fertilizer on lawn or in open container for approximately 1-2 days to remove excess moisture.
- As an option, leave a handful of finished fertilizer to activate next batch.



- Base collects liquid fertilizer for use on indoor & outdoor plant soil.
- Dilute with approximately 10 parts water to 1 part liquid fertilizer before use.
- A cycle for finished solid & liquid fertilizer takes between 4 to 6 weeks.
- To speed up the recycling process, simply turn the drum more often.