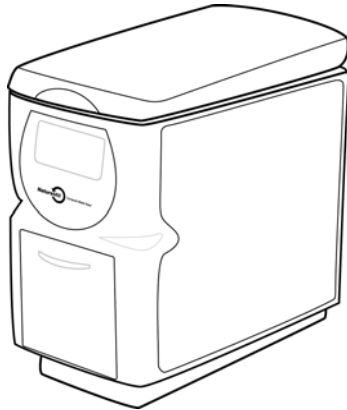




**AUTOMATIC COMPOSTER  
COMPOSTADOR AUTOMÁTICO  
COMPOSTEUR AUTOMATIQUE**

Model / Modelo / Modèle:  
**HC52 - PRO EDITION**



**CAUTION: read instructions carefully  
CUIDADO: lea las instrucciones  
ATTENTION: lire les instructions**

English	.....p. 2
Español	.....p. 9
Français	.....p. 17

**CONTENTS**

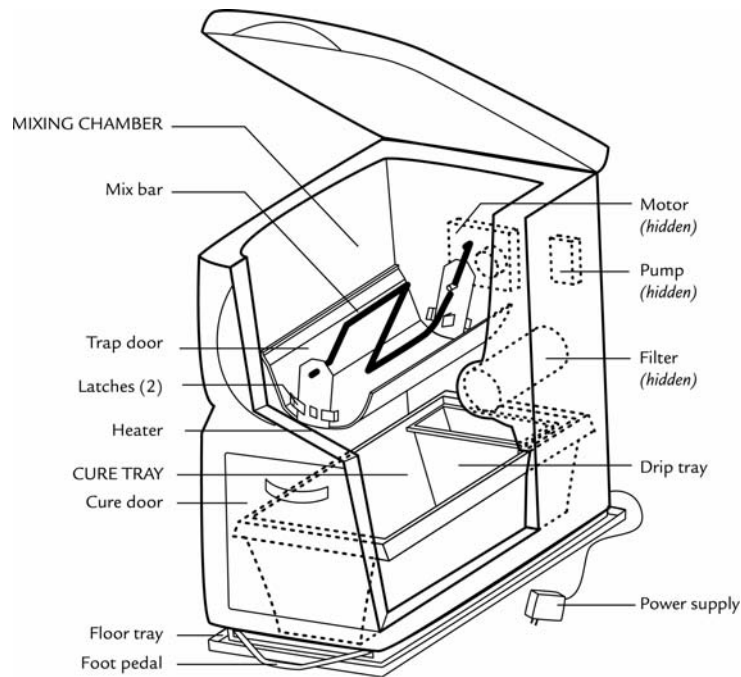
Precautions	.....2
Installation & Setup	.....3
First Use: Activate Compost	.....4
Step 1: Deposit Waste Items	.....4
Step 2: Transfer the Compost	.....5
Step 3: Remove Finished Compost	.....5
Gardening with Compost	.....6
Clearing a Jam	.....7
Reset, Cleaning & Maintenance	.....7
Customer Service, Repair, & Warranty	.....7
Tips to Improve Compost Quality	.....8

**FOR HOUSEHOLD USE ONLY -- INDOOR OR OUTDOOR USE**

**SAVE THESE INSTRUCTIONS FOR FUTURE REFERENCE**

**PRECAUTIONS**

- READ INSTRUCTIONS THOROUGHLY.
- The mixing chamber may be HOT – especially the metal trap door at the bottom. Do not touch directly - use a blunt object such as a spoon.
- Handle compost as you would handle soil: DO NOT EAT; WASH HANDS after contact; KEEP FROM FOOD & DISHES; always wash garden produce before eating.
- DO NOT unplug for more than twenty-four (24) hours at a time, or compost activity may decrease.
- For outdoor use, protect power supply from rain. We recommend an “in-use” electrical receptacle cover, available at most hardware stores.
- Close lid & door at all times. Clear debris from seals.
- DO NOT clean the mixing chamber. Never use soap or chemicals. These destroy compost cultures and can damage the machine.
- Cut waste items into 4 INCH (10 CM) PIECES to avoid jams and aid in decomposition. Cut hard or fibrous items smaller or avoid altogether.
- An odor means cultures are destroyed. See COMPOST QUALITY.
- In rare cases, condensation may drip from the unit. Protect floor surface as needed. Place the unit on the floor tray provided.
- Supervise children and pets near fresh compost.
- Fresh compost is very powerful. Apply to soil surface only, and away from sensitive plant roots. See GARDENING WITH COMPOST.



## INSTALLATION & SETUP

- Insert the trays into the unit, **with the small drip tray at the far end away from the cure door**. See diagram.
- Use indoors or outdoors. A warmer location is generally better, up to 120°F (50°C). Cold outdoor winter temperatures are also acceptable, although this may slow the rate of composting slightly.
- The unit can be installed inside a standard kitchen cabinet. Visit [www.naturemill.com](http://www.naturemill.com) for more mounting options.
- Rain or snow will not damage the unit. Protect the power supply from direct contact with the weather: we recommend an “in-use” electrical receptacle cover, available at most hardware stores.
- Select a flat and level location. Unit will not work properly at a tilt of more than a 1 degree.
- Plug in the power cord. It is shipped inside the unit. Never unplug for more than 24 hours. The POWER light should be on at all times.
- If a black floor tray is provided, place your unit on this tray.
- Position the back of the unit at least 1 inch (2.5cm) away from a wall.

## First use only: ACTIVATE THE CULTURES

This step is needed on the first use only, or if the mixing chamber was cleaned. This step introduces natural, local compost “cultures” into the unit to digest the food waste. These are living, breathing, microscopic organisms. They will remain inside the machine indefinitely. If you ever experience odors, repeat this entire step to re-establish the cultures:

- **INTRODUCE CULTURES:** Add 2 cups (500 ml) of **natural soil** into the mixing chamber. Use **outdoor top soil** where healthy plants or weeds normally grow. Remove any rocks. Cold, frozen, wet, dry, sandy, or clay soil is ok. Do not use packaged soil or cultures, as these may not be living.
- **ADD TWO CUPS (500ML) OF SAWDUST PELLETS**, plus two tablespoons of baking soda. Both are included.
- **ADD FOOD ITEMS:** fill the mixing chamber **half way** with food scraps listed in the enclosed *compost guide*.
- **GIVE CULTURES TIME** to become fully established by not adding any more waste items food, and keeping the unit closed for **1 week**. Plug in the unit, and keep the lid and cure door closed tightly at all times. If odors or wetness occur, add more sawdust and baking soda and let the unit run uninterrupted for several days or a week.

**WHAT TO EXPECT:** Composting is a SLOW process. It may seem like nothing is happening. The motor will mix and grind the items automatically every few hours, for several minutes at a time; **you will hear whirring and snapping sounds** as the mixing bar strikes the latches. You will hear the “hum” of the air pump. The unit will become **nearly silent** once it heats up and breaks in, after a few weeks. A small amount of mold is normal.

## Step 1: DEPOSIT WASTE ITEMS

After the cultures are established (which normally takes 1 week), add waste items to the upper mixing chamber any time, any day, as per the enclosed *compost guide*.

- **BALANCE THE CHEMISTRY:** Each time you add a cup or more of food waste, add a ratio of one cup sawdust pellets for every 4 to 5 cups food waste. This is very important for maintaining the natural chemical balance and reducing odors.
- Add one tablespoon of baking soda for each cup of sawdust pellets. Do NOT add more than one tablespoon of baking soda at a time, or cultures may be damaged.
- Cut waste items into 4 inch pieces (10 cm) to aid decomposition and prevent jams. Smaller is better, but don't pulverize. Don't overfill – only fill the mixing chamber **two thirds full** to the top.

- Avoid hard or stringy or fibrous items, or cut them into very small pieces.
- **If odors occur:** add another cup of sawdust pellets, plus one tablespoon of baking soda. Close the lid and wait 48 hours.

A supply of sawdust pellets is included. Visit [naturemill.com](http://naturemill.com) for refills. Most lumber yards give away FREE sawdust. Be sure it is dry and from untreated, unpainted wood.

## Step 2: TRANSFER THE COMPOST

Please **WAIT** until the **compost** in the mixing chamber is dark, well mixed, individual items are unrecognizable, and the mixing chamber is two thirds full. **Then push the OK button.** If the Wait light comes on, please wait up to 48 hours while the compost process finishes.

After you push the button, the motor will give the compost some final mixing. Then it will reverse direction for several minutes, pushing up on the latches to open the trap door. The compost will fall down to the red cure tray below, where it will continue to compost and dry out for several more days or weeks. Finally, the motor will reverse again to close the trap door. The entire transfer process takes 15-20 minutes.

When the motor has stopped, you can add new waste items as usual, while the older material below continues to compost in the tray below.

- Wait **at least 3-5 days** between transfers. More time makes better compost. Compost takes time.
- Allow the last items added **at least 12-24 hours** in the mixing chamber before transferring.
- A good time to transfer is after a weekend away or just before a meal. If necessary, hold back new waste items in a bowl overnight to allow more time for items already in the mixing chamber to compost.
- Some compost remains in the mixing chamber to “activate” the next batch. No new soil is needed.
- Some compost may “leak” from the mixing chamber down to the cure tray even if you don’t press the OK button, usually fine particles of compost. This normal and is not a problem.

## Step 3: REMOVE COMPOST

Please **WAIT** until the **blinking FULL light turns on**. It will come on after *every other cycle*, usually as you press OK to transfer again. Leave compost in the unit as long as possible for best results. More time allows more curing and drying.

- Remove the red cure tray and the small drip tray. Empty outdoors.
- The area below the cure tray may be wet, or may contain some stray compost. Clean this area out when you remove the trays.
- Reinsert the trays right away, with the small drip tray *at the far end away from the cure door*. See diagram.
- Close the door tightly, then push the OK button to reset the FULL light. Resume normal use.
- You can use the compost outdoors right away, or store outdoors for later use. A hot, cold, frozen, wet, or dry storage location is ok. *Do not cover or store indoors for prolonged periods.*
- Mold is normal and is generally non-toxic. It is a sign of healthy organic activity. To reduce mold, add more sawdust in the future.

## GARDENING WITH COMPOST

- Discard the liquid in the small drip tray, if any. Add to plants, or to an existing compost pile.
- Fresh compost is ready for outdoor use, but not for indoor use. For indoor use and for easier handling, first cure and dry your compost:
- **OPTIONAL: Cure and dry outdoors** for several weeks or months, in a warm, breezy corner of your backyard. Leave uncovered, so compost receives *oxygen* and dries out. You can even add to a compost pile. To cure on a roof or balcony, place on a tarp or wide tray. Cold, freezing, rain, or snow will slow curing but will not harm the cultures.
- TIP: Use a hand trowel to break apart clumps for appearance. Remove uncomposted items.
- Fresh compost is very powerful. **For gentle time-release, spread compost around plant on soil surface only, like mulch.** Watering gradually draws nutrients into the soil. Turning the soil annually mixes in nutrients.
- One batch of compost is generally enough for 10-40 sq ft (1-4 sq m) of grass or garden plants, applied one to four times per year. Refer to individual plant instructions or a local planting guide.
- Mix 1 part *fully cured* compost with 10 to 20 parts regular soil. Full curing requires 4-6 months.
- TIP: make “compost tea” liquid fertilizer - see [naturemill.com](http://naturemill.com).

## CLEARING A JAM

In the rare event that the JAM light comes on:

1. Wait 24 hours and then push the OK button. This may clear the jam (material softens up with time).
2. If the mixing chamber is full, remove some material. Locate and remove any jammed item. Often it is a large, hard, or fibrous item, or a wad of paper, string, or stringy material.
3. Press the OK button to resume normal operation.
4. In the future, avoid whatever jammed. Add smaller, softer items. Don't overload the mixing chamber.

## RESET, CLEANING, & MAINTENANCE

- The wait light may come on for up to 48 hours to allow sufficient time to compost. To override this delay, **hold the OK button for 5 seconds**.
- At any time, you can completely “reset” the unit: unplug the power, then **hold the OK button while plugging in**, and continue to hold the button 5 seconds until all lights come on. Then release the button.
- Remove any stray compost from the rubber seal in the lid, and discard any stray compost or liquid from under or behind the cure tray.
- Periodically, scrape any compost that may stick to the walls of the mixing chamber. The left wall is especially prone to clumping of compost.
- Cleaning is optional: with a damp sponge only, wipe exterior surfaces.
- Never use soaps, sprays, or chemicals. These can destroy the cultures. DO NOT clean the mixing chamber.
- Rinse the trays when you empty the compost.
- Replace the air filter every 4-5 years, if odors develop. The filter is located deep inside the unit, and *is not visible anywhere*. Pull the filter the filter plug and the filter out with a pliers. See [www.naturemill.com](http://www.naturemill.com).

## CUSTOMER SERVICE, REPAIR, & WARRANTY

Visit [www.naturemill.com](http://www.naturemill.com) for customer service & warranty information. For sanitary reasons, a used unit generally can not be returned after exposure to food waste. However, we can send replacement parts or a complete new unit as appropriate.

**Register your product online at [www.naturemill.com](http://www.naturemill.com) to ensure timely warranty service, and notification of updates, defects or recalls. It's FREE! No postage required!**

## TIPS TO IMPROVE COMPOST QUALITY

Composting takes time - and practice! Healthy compost is dark, spongy, moist, granular, and warm, with a mild “earthy” aroma of damp wool, mushrooms, parmesan cheese, or coffee. Steam and heat rising are good signs.

**The first batch or two** may be wet and odorous because the cultures are not yet established. If you encounter odors: add two cups (500 ml) sawdust, and ONE TABLESPOON ONLY of baking soda, then let the machine operate undisturbed for 48 hours with the lid tightly closed.

Here are some additional tips for best results:

- **Add more sawdust pellets:** “Green” items alone (such as fruit, vegetables, and meats) produce wet compost and sour odors similar to ammonia or trash. Refer to STEP 1, “Balance the chemistry” to add the proper amount of sawdust pellets.
- **Sawdust pellets** are available at [www.naturemill.com](http://www.naturemill.com). This is the best type of sawdust because it is dry and dust-free. You can also get *free* sawdust at local lumber yards, carpenter shops, or home improvement centers. It must be from dry, untreated, unpainted wood.
- **Add baking soda, one tablespoon at a time:** too much baking soda can damage the compost cultures. Add one tablespoon and then wait 24 hours before adding any more.
- **Let the unit run uninterrupted** for several days or a week. This will allow the cultures to warm up, become established, and do their work.
- **Don't overfill the mixing chamber** – fill only two thirds of the way to the lid, or up to the “max fill” line at the back of the chamber. Overfilling can result in the lid opening up during mixing, releasing heat and odors. Jams and uneven mixing can also occur.
- **If stagnant material collects along the walls** mix it in with a spoon.
- **Leave compost in the unit** as long as possible, in both the mixing stage and the cure tray stage. Ideally, allow 7 days or more between cycles as you continue to fill the mixing chamber.
- **Cut items smaller**, especially items visible in the final compost. Avoid hard or fibrous items, or items that do not break down.
- **Wetness:** If red cure tray is flooded at the bottom, or the small drip tray is overflowing, position the small drip tray as per diagram. If compost in the mixing chamber is very wet, be sure the unit is level. Add less fruit, lettuce, or other wet items. Add more dry “brown” items, especially sawdust or wood shavings.
- **Dryness:** If compost is dried out or crunchy, with dry areas poorly composted, add more wet items (fruit, lettuce, etc.) in the future, or add 8 oz (240 ml) water.
- **Texture:** compost should be spongy and loose like mulch. If it is hard or chunky or you recognize individual items, add smaller, softer items, allow more time in the mixing chamber, and adjust moisture as above.

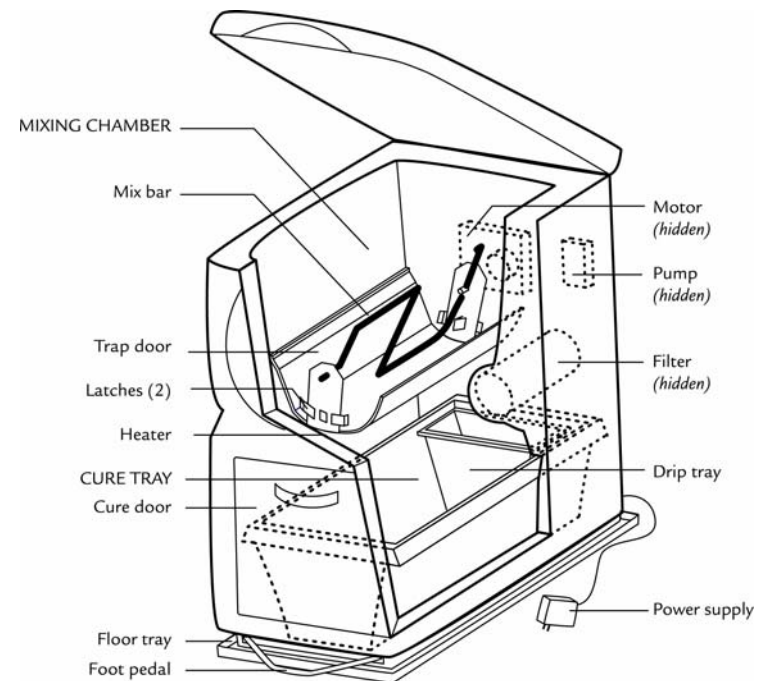
## CONTENIDOS

Precauciones .....	9
Instalación y montaje .....	10
Activar el compost .....	11
Paso 1: Agregar elementos de desecho .....	11
Paso 2: Transferir el compost .....	12
Paso 3: Quitar el compost terminado .....	13
Realizar jardinería con compost .....	13
Destruir un atasco .....	14
Limpieza y mantenimiento .....	14
Servicio al cliente, reparación y garantía .....	15
Consejos para mejorar la calidad del compost .....	15

**SÓLO PARA USO DOMÉSTICO -- Dentro o fuera de la casa**  
**CONSERVE ESTAS INSTRUCCIONES PARA REFERENCIA FUTURA**

## PRECAUCIONES

- LEA LAS INSTRUCCIONES DETENIDAMENTE.
- La cámara mezcladora puede estar CALIENTE – especialmente la puerta trampa que está en el fondo. No toque en forma directa. Use un objeto sin punta, como por ejemplo, una cuchara.
- Trate al compost como si estuviera tratando con la tierra: NO COMA; LAVASE LAS MANOS después de tener contacto; MANTÉNGALO ALEJADO DE LOS ALIMENTOS Y LA VAJILLA; lave siempre los productos de la huerta antes de comerlos.
- NO desenchufe el equipo por más de seis (6) horas por vez, o la actividad del compost puede disminuir.
- Para uso afuera de la casa, proteja la fuente de energía de la lluvia. Se recomienda usar una tapa para enchufe eléctrico, el cual puede adquirirse en la mayoría de las ferreterías.
- Cierre bien la tapa y la puerta. Limpie los restos de los cierres.
- NO limpie la cámara mezcladora. No use jabón ni químicos ya que destruyen los cultivos del compost y pueden dañar el aparato.
- Corte los elementos de desecho en TROZOS DE 4 PULGADAS (10 CM) para evitar atascos y ayudar a la descomposición. Corte los elementos duros o fibrosos en trozos más pequeños o directamente evítelos.
- El olor significa que los cultivos se destruyeron. Ver La Calidad del Compost.
- En raros casos, la condensación puede gotear desde el aparato. Proteja la superficie del suelo cuando sea necesario. Coloque el aparato sobre la bandeja para el piso que se acompaña.
- Supervise a los niños y mascotas que estén cerca del compost fresco.
- El compost fresco es muy potente. Aplíquelo sólo a la superficie del suelo, lejos de las raíces de las plantas delicadas. Ver Realizar Jardinería



## INSTALACION Y MONTAJE

- Coloque las bandejas dentro del aparato, **con la pequeña bandeja de goteo en el otro extremo lejos de la puerta de curación.** Ver gráfico.
- Se puede usar dentro o fuera de la casa. Por lo general, se prefiere un lugar más cálido, de hasta 120°F (50°C). También se aceptan bajas temperaturas de invierno, aunque pueden retrasar levemente la velocidad del compostaje.
- El aparato puede ser instalado adentro de un mueble de cocina estándar. Consulte [www.naturemill.com](http://www.naturemill.com) para más opciones de instalación.
- Ni la lluvia ni la nieve dañarán el aparato. Proteja la fuente de energía del contacto directo con el clima: se recomienda usar una tapa para enchufe eléctrico, que puede adquirirse en la mayoría de las ferreterías.
- Elija un **lugar llano y plano**. El aparato no funcionará adecuadamente en una inclinación de más de 1 grado.
- Conecte el cable de energía que se encuentra adentro del aparato. Nunca lo desconecte por más de 6 horas. Debe visualizarse la luz de ENCENDIDO (POWER) en todo momento.
- Si hay una bandeja negra para el piso, coloque el aparato sobre ella.
- Coloque la parte de atrás del aparato a por lo menos 1 pulgada (2.5cm) de la pared.

## En el primer uso: ACTIVAR LOS CULTIVOS

Este paso sólo es necesario en el primer uso o si se limpió la cámara mezcladora. Se introducen “cultivos” de compost natural en el aparato para asimilar los desechos orgánicos. Son organismos microscópicos vivos que permanecerán adentro del aparato indefinidamente. En caso de haber olor, repita este paso para restablecer los cultivos:

- **INTRODUZCA CULTIVOS:** Agregue 2 tazas (500 ml) de **tierra natural** en la cámara mezcladora. Use **tierra de la capa superior del suelo** donde generalmente crecen plantas o hierbas sanas. La tierra puede ser fría, helada, seca, arenosa o arcillosa. No use tierra o cultivos empaquetados ya que tal vez no vivan. Quite las piedras.
- **AGREGUE 2 TAZAS (500ML) DE ASERRÍN,** y 2 cucharadas de bicarbonato de sodio (ambos elementos están incluidos).
- **AGREGUE LOS PRIMEROS DESECHOS:** llene la cámara mezcladora **hasta la mitad** con desechos de alimentos mencionados en la *guía del compost* que se adjunta.
- **DÉ TIEMPO A LOS CULTIVOS** para que se establezcan por completo sin agregar más desechos alimenticios y manteniendo el aparato cerrado por 1 semana. Enchufe el aparato y mantenga la tapa y la puerta de curación bien cerradas en todo momento. En caso de producirse olores o humedad, agregue más aserrín o bicarbonato de sodio y deje funcionar el aparato en forma ininterrumpida por varios días o una semana.
- **QUÉ SE ESPERA:** El compostaje es un proceso LENTO. Puede parecer que no está sucediendo nada. El motor mezclará y triturará los desechos en forma automática cada unas horas, durante varios minutos cada vez; **se escucharán sonidos semejantes a un zumbido y a un chasquido** cuando la barra mezcladora golpea los pestillos. También se escuchará el zumbido de la bomba de aire. El aparato se volverá **casi silencioso** una vez que se caliente e interrumpa, después de unas pocas semanas. Es normal que aparezca una pequeña cantidad de moho.

## Paso 1: AGREGAR LOS DESECHOS

Una vez que se establecen los cultivos, lo que lleva aproximadamente 1 semana, agregue desechos a la cámara mezcladora superior en cualquier momento, cualquier día, como se indica en la *guía del compost* adjunta.

- **EQUILIBRE LA FÓRMULA:** Cada vez que introduzca una taza o más de desechos de alimentos, agregue una taza de aserrín cada 4 ó 5 tazas de desechos. Esto es muy importante para mantener el equilibrio de la fórmula natural y reducir los olores con posterioridad.

- Agregue una cucharada de bicarbonato de sodio por cada taza de aserrín. NO agregue más de una cucharada de bicarbonato de sodio por vez, sino los cultivos pueden dañarse.
- Corte los desechos en trozos de 4 pulgadas (10 cm) para ayudar a la descomposición y evitar atascos. Cuanto más pequeños, mejor, pero no los pulverice. No llene en exceso (sólo llene **dos tercios hacia arriba** de la cámara mezcladora).
- Evite elementos duros o fibrosos o córtelos en trozos muy pequeños.
- **En caso de haber olores:** agregue otra taza de aserrín más una cucharada de bicarbonato de sodio. Cierre la tapa y espere 48 horas.

Se incluye una provisión de aserrín. Consulte [naturemill.com](http://naturemill.com) para obtener más. En la mayoría de las carpinterías o aserraderos se consigue aserrín en forma gratuita. Asegúrese de que esté seco y que sea de madera no tratada y sin pintar.

## Paso 2: TRANSFERIR EL COMPOST

Por favor **ESPERE** hasta que el **compost** en la cámara mezcladora esté oscuro y bien mezclado, que los elementos estén irreconocibles y que la cámara mezcladora esté dos tercios llena. **Luego presione el botón de OK**. Si se enciende la luz de espera, por favor espere hasta 48 horas mientras el proceso del compost termina.

Luego de presionar el botón, el motor le dará al compost una mezcla final. Luego cambiará la dirección por varios minutos, presionando los pestillos para abrir la puerta trampa. El compost caerá a la bandeja de curación roja de abajo, donde continuará el compostaje y el secado por varios días o semanas más. Luego el motor se invertirá otra vez para cerrar la puerta trampa.

Cuando el motor se detiene, puede agregar nuevos desechos como siempre, mientras el material más viejo que se encuentra abajo continúa el compostaje en la bandeja inferior.

- Deje pasar **como mínimo de 3 a 5 días** entre las transferencias. Cuanto mayor sea el tiempo, mejor compost se produce. El compostaje lleva tiempo.
- Deje a los nuevos elementos **como mínimo entre 12 y 24 horas** en la cámara mezcladora antes de la transferencia.
- Un buen momento para transferir es después de un fin de semana afuera o justo antes de una comida. Si es necesario, mantenga desechos frescos en un recipiente toda la noche para dejar a los elementos que ya están en la cámara mezcladora por más tiempo.
- Alguna parte del compost permanece en la cámara mezcladora para “activar” la próxima tanda. No se necesita tierra nueva.

- Alguna parte del compost puede “derramarse” de la cámara mezcladora hacia la bandeja de curación incluso si no se presiona el botón de OK, por lo general, son partículas finas de compost. Esto es normal y no es ningún problema.

### Paso 3: QUITAR EL COMPOST

Por favor **ESPERE hasta que esté encendida la luz parpadeante de COMPLETO**. Aparecerá después de *cada dos ciclos*, generalmente cuando presiona el botón de OK para transferir nuevamente. Deje el compost en el aparato tanto tiempo como sea posible para obtener mejores resultados. Más tiempo permite una mayor curación y secado.

- Quite la bandeja de curación roja y la pequeña bandeja de goteo, y vacíelas afuera de la casa.
- El área de abajo de la bandeja de curación puede estar húmeda o puede contener alguna parte de compost derramado. Limpie esta zona cuando quite las bandejas.
- Reinserte las bandejas inmediatamente, colocando la pequeña bandeja de goteo *en el extremo lejos de la puerta de curación*. Ver gráfico.
- Cierre bien la puerta, luego presione el botón de OK para volver a encender la luz de COMPLETO. Reanude el uso normal.
- Puede usar el compost en forma inmediata o conservarlo afuera de la casa para usarlo después. Puede ser un lugar caliente, frío, helado, húmedo o seco. *No lo cubra ni lo mantenga adentro de la casa por períodos prolongados.*

### REALIZAR JARDINERÍA CON COMPOST

- Elimine el líquido de la pequeña bandeja de goteo, si hubiera. Agréguelo a las plantas o a una tanda de compost existente.
- El compost fresco está listo para ser usado afuera de la casa, pero no en el interior. Para usarlo adentro de la casa y de forma más fácil, primero cúrelo y séquelo.
- **OPCIONAL: Realice la curación y el secado afuera de la casa** durante varias semanas o meses, en un rincón cálido y con brisa del jardín. Déjelo sin cubrir de manera que el compost reciba oxígeno y se seque. Incluso puede agregarlo a una pila de compost. Para realizar la curación en un techo o balcón, colóquelo en una lona o bandeja grande. El frío, las heladas, la lluvia o la nieve retrasarán la curación pero no dañarán los cultivos.
- **CONSEJO:** Use un desplantador de mano para separar las matas. Quite los elementos no compostados.

- El compost fresco es muy potente. **Para obtener un efecto gradual, cubra con el compost sólo la superficie de la tierra, como el humus.** Al regar gradualmente se llevan nutrientes a la tierra. Revolver la tierra anualmente mezcla los nutrientes.
- Una pila de compost, por lo general, es suficiente para 10-40 pies<sup>2</sup> (1-4 m<sup>2</sup>) de césped o plantas de jardín, aplicada una a cuatro veces por año. Consulte instrucciones sobre plantas individuales o consiga una guía de plantas, si hubiera disponible.
- Mezcle 1 parte de compost *totalmente curado* con 10 a 20 partes de tierra. La cura completa requiere entre 4 y 6 meses.
- **CONSEJO:** prepare “té de compost” como fertilizante líquido – ver naturemill.com.

### DESTRABAR UN ATASCO

En el caso eventual de que se encienda la luz de ATASCO:

1. Espere 24 horas y luego presione el botón de OK. Esto puede destrabar el atasco (el material se ablanda con el tiempo).
2. Si la cámara mezcladora está llena, quite parte del material. Encuentre y quite cualquier elemento atascado. A menudo es un elemento grande, duro o fibroso o un montón de papel, cordón o material fibroso.
3. Presione el botón de OK para retomar el funcionamiento normal.
4. En el futuro, evite los atascos. Agregue elementos más pequeños y blandos. No sobrecargue la cámara mezcladora.

### LIMPIEZA Y MANTENIMIENTO

La luz de espera puede aparecer por hasta 48 horas para permitir tiempo suficiente al compostaje. Para anular este retraso, **mantenga apretado el botón de OK por 5 segundos**.

- En cualquier momento puede volver a poner en funcionamiento el aparato: desconecte el aparato, luego **mantenga apretado el botón de OK mientras lo conecta**, y continúe manteniéndolo apretado hasta que todas las luces se enciendan. Luego libere el botón.
- Quite cualquier resto de compost derramado del cierre de goma de la tapa y elimine cualquier resto de compost derramado o líquido de abajo o de atrás de la bandeja de curación.
- Periódicamente, raspe cualquier resto de compost que pueda haberse adherido a las paredes de la cámara mezcladora. La pared izquierda es especialmente propensa a juntar compost.
- La limpieza es opcional: limpie las superficies exteriores sólo con una esponja húmeda.

- No use jabones ni aerosoles ni químicos ya que pueden destruir los cultivos. NO limpie la cámara mezcladora.
- Enjuague las bandejas cuando retire el compost.
- Reemplace el filtro de aire cada 4 ó 5 años, si aparecen olores. El filtro se encuentra adentro del equipo y *no está visible*. Empuje el tapón del filtro hacia afuera desde el interior del equipo, luego retírelo con una pinza. Ver [www.naturemill.com](http://www.naturemill.com).

## SERVICIO, REPARACIÓN, GARANTÍA

Consulte [www.naturemill.com](http://www.naturemill.com) para mayor información sobre el servicio al cliente y la garantía. Por razones sanitarias, por lo general, el equipo no puede retornar después de haberlo expuesto a desechos alimenticios. Sin embargo, podemos enviar repuestos o un nuevo equipo completo, según corresponda.

**Registre su producto en nuestra página web [www.naturemill.com](http://www.naturemill.com) para asegurar el servicio de garantía e informe sobre cualquier defecto o retiro de productos. ¡No hay gastos de envío!**

## CONSEJOS PARA MEJORAR EL COMPOST

¡Compostar lleva tiempo y práctica! El compost sano es oscuro, esponjoso, húmedo, granular y cálido y tiene un suave aroma a “tierra” orgánica de lana húmeda, hongos, queso parmesano o café. La aparición de vapor y calor es buena señal.

**La primera o segunda pila de compost** puede ser húmeda y olorosa porque los cultivos aún no están establecidos. En caso de producirse olor: agregue dos tazas (500 ml) de aserrín y SÓLO UNA CUCHARADA de bicarbonato de sodio, luego deje funcionar al equipo en forma ininterrumpida durante 48 horas con la tapa bien cerrada.

A continuación se mencionan algunos consejos para obtener mejores resultados:

- **Agregue más aserrín:** Los elementos “verdes” solos (como por ejemplo, las frutas, los vegetales y la carne) producen un compost húmedo y olores ácidos similares al amoníaco o a la basura. Ver el PASO 1, «Equilibre la fórmula», para agregar la cantidad adecuada de aserrín.
- **Aserrín:** se encuentra disponible en [www.naturemill.com](http://www.naturemill.com). Es el mejor tipo de aserrín porque es seco y no tiene polvo. También puede conseguirlo en aserraderos, carpinterías o negocios de reformas para el hogar. Debe ser de madera seca no tratada y sin pintar.
- **Agregue una cucharada de bicarbonato de sodio por vez:** demasiado bicarbonato de sodio puede dañar los cultivos del compost. Agregue una cucharada y luego espere 24 horas antes de agregar más.

- **Deje funcionar el equipo en forma ininterrumpida** por varios días o una semana para que los cultivos se activen, se establezcan y trabajen.
- **No sobrecargue la cámara mezcladora:** llene sólo dos tercios hacia la tapa o hasta la línea de “llenado máx” que está en la parte de atrás de la cámara. La sobrecarga puede hacer que la tapa se abra durante el mezclado, liberando calor y olores. También puede causar atascos y una mezcla irregular.
- **Si se acumula material en las paredes,** mézclelo con una cuchara.
- **Deje el compost en el equipo** tanto tiempo como sea posible, ya sea en la etapa de mezclado como en la de la bandeja de curación. Lo ideal es dejar 7 días o más entre los ciclos mientras continúa llenando la cámara mezcladora.
- **Corte elementos más pequeños,** especialmente, elementos visibles en el compost final. Evite los elementos duros o fibrosos o que no se puedan romper.
- **Humedad:** Si la bandeja de curación roja está inundada en el fondo o la pequeña bandeja de goteo se está desbordando, coloque ésta última según el gráfico. Si el compost en la cámara mezcladora está muy mojado, asegúrese de que el equipo esté nivelado. Agregue menos fruta, lechuga u otros elementos húmedos y más elementos “marrones” secos, en especial, aserrín o virutas de madera.
- **Sequedad:** Si el compost está seco o crujiente y presenta partes secas poco compostadas, en el futuro agregue más elementos húmedos (fruta, lechuga, etc.), o añada 8 oz (240 ml) de agua.
- **Textura:** El compost debería ser esponjoso y flexible como el humus. Si es duro o macizo o se ven elementos individuales, agregue elementos más suaves y pequeños, déjelos por más tiempo en la cámara mezcladora y regule la humedad como se describió anteriormente.

## TABLE DES MATIÈRES

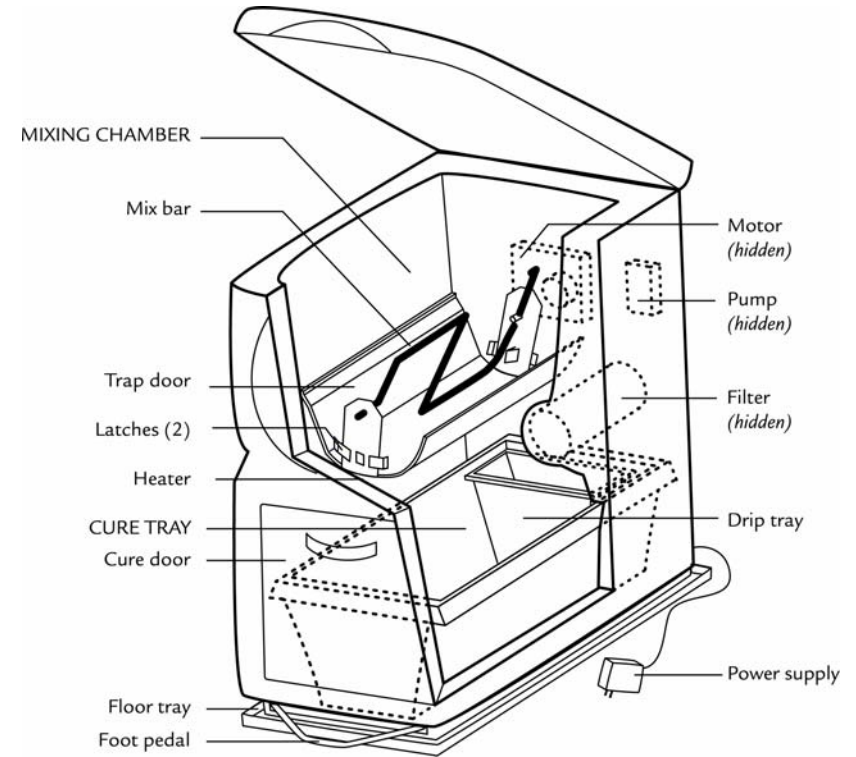
Précautions .....	17
Installation & configuration .....	18
Activation du compost .....	19
Étape 1 : Ajouter les déchets .....	19
Étape 2 : Transférer le compost .....	20
Étape 3 : Sortir le compost fini .....	20
Le jardinage avec du compost .....	21
Dégagement de bourrage .....	21
Réinitialisation, Nettoyage & entretien .....	22
Service d'assistance & garantie .....	22
Conseils pour améliorer la qualité .....	22

### Pour Utilisation Domestique Seulement – Intérieure Ou Extérieure

### GARDEZ CES INSTRUCTIONS COMME RÉFÉRENCE

## PRÉCAUTIONS

- LISEZ TOUTES LES INSTRUCTIONS
- La chambre de mélange pourrait être CHAUDE – en particulier le volet en métal du bas. Ne pas toucher directement.
- Prendre avec le compost les mêmes précautions que la terre : NE PAS MANGER; LAVER LES MAINS après tout contact; NE PAS METTRE EN CONTACT AVEC DE LA NOURRITURE & DES ASSIETTES; toujours laver les produits du jardin avant de les manger.
- NE PAS débrancher l'unité pour plus de vingt quatre (24) heures à la fois ou l'activité de compostage pourrait en être réduite.
- Protéger l'alimentation de la pluie si vous utilisez l'appareil à l'extérieur. Nous recommandons l'utilisation d'une protection de prise de courant électrique en cours d'utilisation, disponible chez la plupart des quincailleries.
- Fermer le couvercle et la porte en tous temps. Nettoyer les résidus sur les joints.
- NE PAS nettoyer la chambre de mélange. N'utilisez jamais du savon ou des produits chimiques. Ils détruisent les cultures de compost et peuvent endommager la machine.
- Couper les déchets en PIÈCES DE 10 CM (4 POUCES) pour éviter les bourrages et aider la décomposition. Couper les grosses pièces dures ou fibreuses ou les éviter complètement.
- Odeur signifie que la culture a été détruite. Voir QUALITÉ DU COMPOST.
- Dans certains cas rares, de la condensation pourrait s'égoutter de l'appareil. Protéger au besoin la surface du sol. Placer l'unité sur le plateau de sol fourni.
- Superviser les enfants et les animaux domestiques près du compost frais.
- Le compost frais est très puissant. Utiliser à la surface de la terre seulement et à l'écart des racines de plantes sensibles. Voir JARDINAGE AVEC DU COMPOST.



## INSTALLATION & CONFIGURATION

- Insérer les plateaux dans l'unité, avec le petit plateau d'égouttage sur le bord opposé de la porte de cure. Voir diagramme.
- À utilisation extérieure et intérieure. Les emplacements plus chauds sont généralement meilleurs, jusqu'à une limite de 50 °C (120°F). Les températures froides de l'hiver sont aussi acceptables, bien que le taux de compostage pourrait en être légèrement ralenti.
- Cette unité peut être installée à l'intérieur d'une armoire de cuisine standard. Visitez [www.naturemill.com](http://www.naturemill.com) pour plus d'information d'installation.
- La pluie ou neige n'endommagera pas l'unité. Protéger l'alimentation du contact direct des intempéries. Nous recommandons l'utilisation d'une protection de prise de courant électrique en cours d'utilisation, disponible chez la plupart des quincailleries.
- Sélectionnez un emplacement plat et à niveau. L'unité ne marchera pas bien si inclinée de plus que 1 degré.
- Branchez le cordon électrique. Il se trouve à l'intérieur de l'appareil. Ne jamais débrancher l'appareil plus que 24 heures. Le voyant vert POWER doit être allumé en tous temps.
- Si un plateau noir pour le sol est fourni, placer votre appareil dessus.
- Placer l'arrière de l'appareil au moins 2,5 cm (1 po) d'un mur.

## Première utilisation: ACTIVATION

Cette étape n'est nécessaire que pour la première utilisation ou si la chambre de mélange a été nettoyée. Cette étape introduit des cultures de compost naturelles et locales dans l'unité pour digérer les déchets alimentaires. Ce sont des organismes microscopiques vivants qui respirent. Ils resteront à l'intérieur de la machine indéfiniment. Si vous remarquez des odeurs, répéter toute cette étape jusqu'à ce que les cultures soient établies :

- **INTRODUCTION DES CULTURES** : Ajoutez 2 tasses (500 ml) de **terre naturelle** dans la « chambre de mélange ». Utiliser de la **terre à jardin externe** où poussent normalement des plantes saines ou de l'herbe folle. La terre froide, gelée, humide, sèche, sablonneuse, ou argileuse est convenable. Ne pas utiliser de la terre ou des cultures emballées puisqu'elles pourraient être mortes. Retirer les roches.
- **AJOUTER 2 TASSES (500 ML) DE PELOTES DE SCIURE DE BOIS**, et deux cuillères à soupe de bicarbonate de soude (les deux sont fournies).
- **AJOUTER LES PIÈCES INITIALES** : remplissez la chambre de mélange de moitié avec des déchets alimentaires figurant sur la liste du *guide du compostage*.
- **DONNER AUX CULTURES LE TEMPS** de s'établir complètement en n'ajoutant plus de déchets alimentaires et garder l'appareil fermé pour 1 semaine. Brancher l'appareil et garder le couvercle et la porte de cure bien fermés en tous temps. Si vous remarquez des odeurs ou de l'humidité, ajouter plus de sciure de bois et de bicarbonate de soude, puis laisser l'appareil fonctionner ininterrompu pour plusieurs jours ou une semaine.
- **À PRÉVOIR** : Le compostage est un processus LENT. Vous pourriez croire que rien ne se passe. Le moteur mélangera et moulera les pièces automatiquement pour plusieurs minutes à la fois de temps à autre; **vous entendrez des bourdonnements et claquements** à mesure que la barre de mélange rentre en contact avec les taquets. Vous entendrez le « ronronnement » de la pompe à air. L'appareil deviendra **pratiquement silencieux** quand il aura chauffé et déchiqueté les déchets après quelques semaines. Une petite quantité de moisissure est normale.

## Étape 1 : AJOUTER LES DÉCHETS

Sitôt les cultures établies, ce qui prend normalement 1 semaine environ, ajouter les déchets à la chambre supérieure de mélange en tous temps, toute journée, comme indiqué dans le *guide de compostage*.

- **ÉQUILIBRER LA RÉACTION CHIMIQUE** : Chaque fois que vous rajoutez une tasse ou plus de déchets alimentaires, ajouter une tasse de pelotes de sciure de bois pour chaque 4 à 5 tasses de déchets alimentaires. Ceci est très important pour préserver l'équilibre naturel et réduire les odeurs plus tard.
- Ajouter une cuillère à soupe de bicarbonate de soude avec chaque tasse de pelotes de sciure de bois. Ne PAS ajouter plus d'une cuillère à soupe de bicarbonate de soude en tous temps ou les cultures seront endommagées.

- Couper les produits en des pièces de 10 cm (4 pouces) pour aider la décomposition et éviter les bourrages. Plus c'est petit, mieux c'est, sans pulvériser. Ne pas remplir de trop – remplir la chambre de mélange à **deux tiers** du haut.
- Éviter les pièces dures ou fibreuses, ou les couper en pièces très petites.
- **S'il y a dégagement d'odeur** : ajouter une autre cuillère à soupe de pelotes de sciure de bois avec une cuillère à soupe de bicarbonate de soude. Fermer le couvercle et attendre 48 heures.

Une provision de pelotes de sciure de bois est comprise. Visiter [naturemill.com](http://naturemill.com) pour se réapprovisionner. La plupart des chantiers de bois vous donneront la sciure de bois gratuitement. S'assurer que ça soit de la sciure sèche de bois non traité, non peint.

## Étape 2 : TRANSFÉRER LE COMPOST

Veillez **ATTENDRE jusqu'à ce que le compost** dans la chambre de mélange devienne foncé, bien mélangé, les différents produits non-reconnaissables, et le réacteur plein à deux tiers. **Ensuite presser le bouton OK**. Si le voyant Wait (attendre) s'allume, veuillez attendre jusqu'à 48 heures que le processus de compostage se termine.

Après avoir appuyé le bouton, le moteur mélangera le compost une dernière fois. Après il tournera en sens inverse pour plusieurs minutes, en poussant les taquets pour ouvrir le volet. Le compost tombera sur le plateau de cure rouge en bas, où il continuera à composter et sécher pour plusieurs jours ou semaines. Le moteur tournera en sens inverse à nouveau pour refermer le volet.

Sitôt le moteur arrêté, vous pouvez ajouter de nouveaux déchets comme d'habitude, alors que les vieilles pièces continuent de composter sur le plateau en bas.

- Attendre **au moins 3-5 jours** entre transferts. La qualité du compost s'améliore avec plus de temps entre les cycles. Le compostage prend du temps.
- Laisser les nouveaux produits ajoutés **au moins 12-24 heures** dans la chambre de mélange avant de transférer.
- Un bon temps pour transférer serait après un week-end passé loin de chez soi ou juste avant un repas. Si nécessaire garder les nouveaux déchets dans un bol jusqu'au lendemain pour donner plus de temps aux produits déjà dans la chambre de mélange pour composter.
- Garder un peu de compost dans la chambre de mélange pour « activer » le prochain lot. Pas besoin de rajouter de la terre.
- Certains composts pourraient « fuir » de la chambre de mélange au plateau de cure même si vous n'avez pas appuyé sur le bouton OK. Ce sont normalement des particules de compost fines. C'est normal et ne constitue pas un problème.

## Étape 3 : RETIRER DU COMPOST

Veillez **ATTENDRE que la lumière clignotante FULL (plein) s'allume**. Cette lumière s'allumera après chaque deuxième cycle, normalement quand vous appuyez le bouton OK pour transférer à nouveau. Laisser le compost dans l'unité aussi longtemps que possible pour les meilleurs résultats. Plus de temps permet une meilleure cure et séchage.

- Enlever le plateau rouge de cure et le petit plateau d'égouttage. Vider à l'extérieur.
- La zone en bas du plateau de cure pourrait être mouillée, ou contenir des retombées de compost. Nettoyer cette zone quand vous retirez le plateau.
- Insérer les plateaux dans l'appareil, avec le petit plateau d'égouttage *sur le bord opposé de la porte de cure*. Voir diagramme.
- Bien fermer la porte latérale, puis appuyer sur le bouton OK pour éteindre la lumière FULL (plein). Continuer l'utilisation normale.
- Vous pouvez utiliser le compost tout de suite, ou le stocker à l'extérieur pour une utilisation future. Les places d'entreposage chaudes, froides, gelées, humides, ou sèches sont convenables. *Ne pas couvrir ou garder à l'intérieur pour des périodes prolongées.*

## LE JARDINAGE AVEC DU COMPOST

- Se débarrasser de tout liquide qui pourrait encore se trouver dans le petit plateau d'égouttage. Ajouter à des plantes, ou une autre pile de compost.
- Le compost frais est prêt pour l'utilisation extérieure, mais pas intérieure. Pour l'utilisation intérieure et une manutention plus facile, compléter en premier lieu la cure et séchage du compost.
- **OPTIONNEL : Cure et séchage extérieurs** pour plusieurs semaines ou mois, dans un coin chaud et bien aéré de votre jardin. Laisser découvert pour que le compost puisse s'oxygéner et sécher. Il est même possible de l'ajouter à une pile de compost. Pour une cure de toit ou de balcon, placer sur une bâche ou grand plateau. Le froid, gel, pluie, ou neige peuvent ralentir la cure mais n'endommageront pas les cultures.
- **CONSEIL** : Utiliser une truelle à main pour séparer les morceaux. Retirer les pièces non compostés.
- Le compost frais est très puissant. **Pour un effet échelonné plus doux, répartir le compost autour de la plante sur la surface de la terre, comme de la paille.** L'arrosage contribuera à enfoncer progressivement les substances nutritives dans le sol. Il est possible de mélanger les substances nutritives en retournant le sol chaque année.
- Normalement un seul lot de compost est suffisant pour 1-4 m<sup>2</sup> (10-40 pi<sup>2</sup>) de gazon ou plantes de jardin, appliqué une à quatre fois par an. Se référer aux instructions individuelles de chaque plante ou guide de cultivation local.
- Mélanger 1 volume de compost à *cure complète* avec 10 à 20 volumes de terre régulière. Une cure complète demande 4-6 mois.
- **CONSEIL** : faire de l'engrais liquide « thé de compost » - se référer à naturemill.com.

## DÉGAGEMENT DE BLOCAGE

Il est rare que l'appareil se bloque mais dans le cas où la lumière JAM (blocage) s'allumerait :

1. Attendre 24 heures, puis appuyer à nouveau sur le bouton OK. Ceci pourrait dégager le blocage (le matériel se ramollit avec le temps).
2. Si la chambre de mélange est pleine, retirer du produit. Trouver et retirer toute pièce bloquée. C'est souvent une grosse pièce dure ou fibreuse, une liasse de papier, un fil, ou du matériel fibreux.

3. Appuyer sur le bouton OK pour continuer l'opération normale.
4. Éviter d'utiliser les pièces à blocage dans le futur. Ajouter des pièces plus molles et plus petites. Ne pas surcharger la chambre de mélange.

## RÉINITIALISATION, NETTOYAGE ET ENTRETIEN

- La lumière d'attente pourrait s'allumer jusqu'à 48 heures pour permettre assez de temps de compostage aux déchets. Pour annuler ce délai, appuyez pendant 5 secondes sur le bouton OK.
- Vous pouvez « réinitialiser » l'unité à tout moment : débrancher, puis en appuyer le bouton OK tout en rebranchant, et en gardant le bouton appuyé pour 5 secondes jusqu'à ce que toutes les lumières s'allument. Ensuite lâcher le bouton.
- Retirer toutes les retombées de compost du joint en caoutchouc dans le couvercle et se débarrasser de toutes retombées de compost ou compost liquide sous ou derrière le plateau de cure.
- Racler régulièrement le compost qui pourrait s'attacher aux murs de la chambre de mélange. Le mur gauche est spécialement sensible à l'accumulation de compost.
- Le nettoyage est optionnel : essuyer les surfaces externes avec une éponge mouillée seulement.
- Ne jamais utiliser du savon, des atomiseurs ou produits chimiques. Ceux-ci peuvent détruire les cultures. NE PAS nettoyer la chambre de mélange.
- Rincer les plateaux quand vous videz le compost.
- Remplacer le filtre à air chaque 4-5 ans, si des odeurs se développent. Le filtre se trouve au fond de l'appareil *sans être visible de nulle part*. Pousser le bouchon du filtre de l'extérieur puis retirer le filtre avec des pinces. Voir [www.naturemill.com](http://www.naturemill.com).

## SERVICE D'ASSISTANCE, RÉPARATIONS & GARANTIE

Visiter [www.naturemill.com](http://www.naturemill.com) pour toute information sur le service client et la garantie. Pour des raisons d'hygiène, il n'est pas possible de retourner un appareil utilisé après contact avec des déchets alimentaires. Nous pouvons toutefois envoyer des pièces de rechange ou un appareil au complet au besoin.

**Enregistrer votre produit en ligne sur [www.naturemill.com](http://www.naturemill.com) pour garantir un service de garantie ponctuel et notification des défauts ou rappels. Aucun frais ou affranchissement requis!**

## Conseils pour AMÉLIORER LA QUALITÉ DU COMPOST

Le compostage prend du temps - et de la pratique! Un compost sain est spongieux granulé et chaud, avec une couleur foncée. Il a un doux arôme « terreux » de laine mouillée, champignons, fromage parmesan, ou café. Le dégagement de vapeur et de chaleur est bon signe.

Les deux premiers lots pourraient être mouillés et sentir car les cultures ne sont pas encore établies. En cas d'odeurs : ajouter deux tasses (500 ml) de sciure de bois, et SEULEMENT UNE CUILLÈRE À SOUPE de bicarbonate de soude, puis laisser fonctionner la machine ininterrompue pendant 48 heures avec le couvercle bien fermé.

Voici quelques conseils additionnels pour les meilleurs résultats :

- **Ajouter plus de pelotes de sciure de bois** : L'utilisation de matériel « vert » seulement (comme les fruits, légumes et viandes) produit du compost humide et des odeurs aigres comme celles de l'ammoniac ou des ordures. Se référer à l'ÉTAPE 1, « Équilibrer la réaction chimique » pour ajouter les bonnes quantités de pelotes de sciure de bois.
- **Les pelotes de sciure de bois** sont disponibles sur [www.naturemill.com](http://www.naturemill.com). C'est le meilleur genre de sciure de bois puisqu'elle est sèche et sans poussière. Vous pouvez aussi vous procurer de la sciure de bois *gratuitement* à un chantier de bois local, menuiserie ou centre d'amélioration du foyer. S'assurer que ça provient de bois sec, non traité, non peint.
- **Ajouter de la bicarbonate de soude une cuillère à soupe à la fois** : un excès de bicarbonate de soude peut nuire aux cultures. Ajouter une cuillère à soupe puis attendre 24 heures avant d'en ajouter d'autres.
- **Laisser l'appareil tourner ininterrompu** pour plusieurs jours ou une semaine. Ceci permettra aux cultures de se chauffer, s'établir et remplir leur fonction.
- **Ne pas remplir la chambre de mélange de trop** – remplir à deux tiers du couvercle ou jusqu'à la ligne « max fill » (niveau max.) à l'arrière de la chambre. Remplir de trop pourrait causer le couvercle à s'ouvrir durant le mélange ce qui dégagerait de la chaleur et des odeurs. Il pourrait aussi y avoir des bourrages et des mélanges non homogènes.
- **Si du matériel fixe s'accumule le long des murs** le mélanger avec une cuillère.
- **Laisser le compost dans l'unité** aussi longtemps que possible, durant la phase de mélange ainsi que la phase de plateau de cure. Idéalement, il faut donner 7 jours ou plus entre chaque cycle à mesure que vous continuez de remplir la chambre de mélange.
- **Couper les pièces plus petit**, en particulier les pièces visibles du compost final. Éviter les pièces dures ou fibreuses ou celles qui ne se brisent pas.
- **Humidité** : Si le plateau de cure rouge est noyé en bas, ou que le petit plateau d'égouttage déborde, placer le petit plateau d'égouttage comme illustré dans le diagramme. Si le compost dans la chambre de mélange est très humide, assurez-vous que l'unité soit à niveau. Ajouter moins de fruit, laitue, ou autres pièces à haute teneur en liquide. Ajouter plus de matériel sec, « brun » comme la sciure ou la laine de bois.
- **Siccité** : Si le compost est desséché ou craquant, avec des zones sèches mal compostées, ajouter plus de pièces à haute teneur liquide dans le futur (fruit, laitue, etc...), ou ajouter 226,8 g (240 ml) d'eau.
- **Texture** : le compost doit être spongieux et lâche, comme la paille. Si le compost est dur et les morceaux individuels toujours reconnaissables, ajouter des pièces plus petites ou plus douces, et laisser plus longtemps dans la chambre de mélange en réglant l'humidité comme déjà expliqué.

**Register your product online at:**

[www.naturemill.com](http://www.naturemill.com)

**Registering ensures warranty service  
and notification of product updates.  
It's FREE! No postage required!**